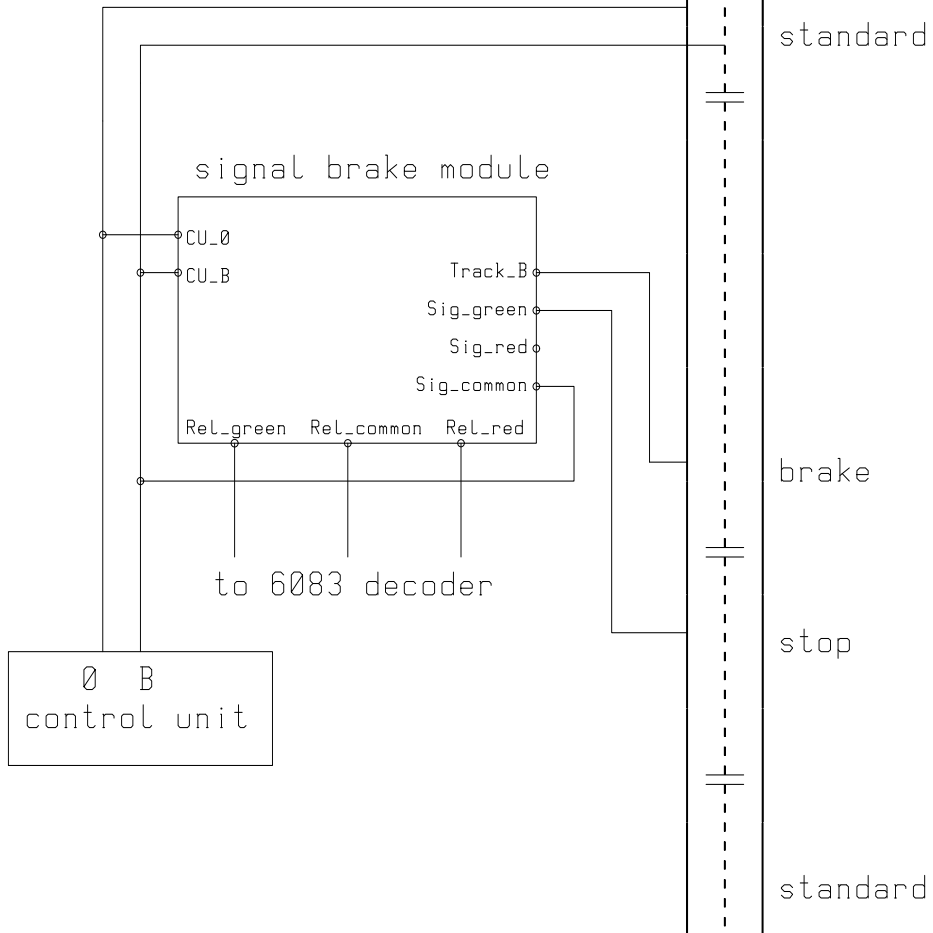


Wiring - With stop section



Wiring - With light signal

